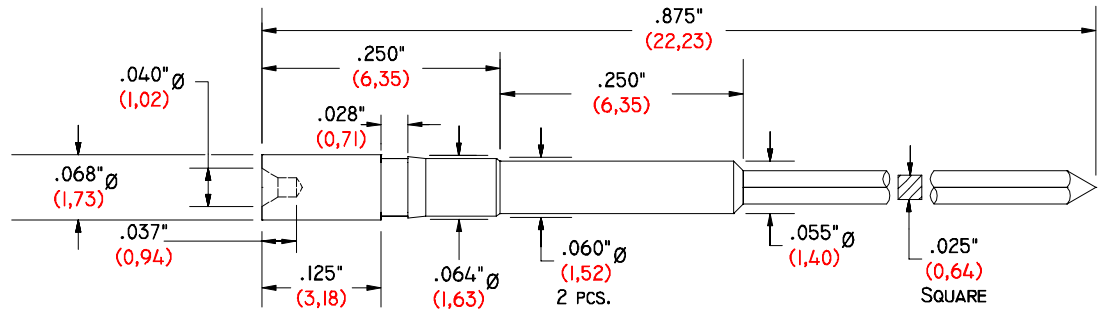
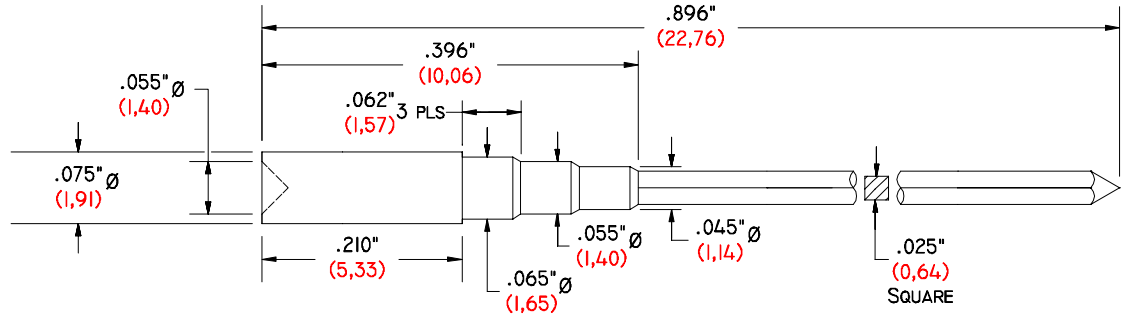


# WIRE WRAP SOCKET PINS FOR DEDICATED FIXTURES

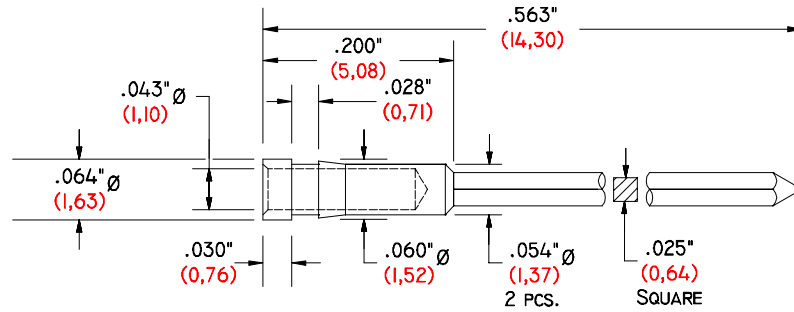
**GI-12-002 WWSP**  
WIRE WRAP SOCKET PIN



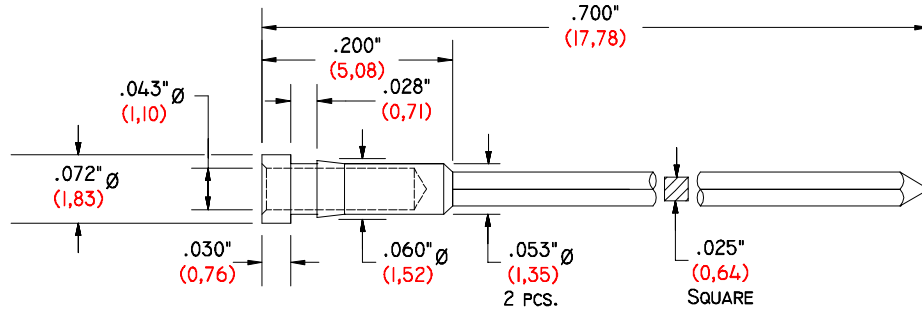
**GI-023-075 WWSP**  
WIRE WRAP SOCKET PIN



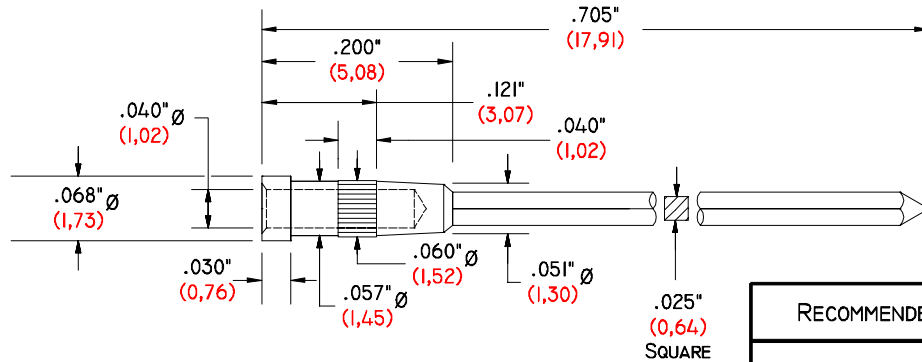
**GI-40-2 WWSP**  
WIRE WRAP SOCKET PIN



**GI-40-3 WWSP**  
WIRE WRAP SOCKET PIN



**GI-068 KSP**  
KNURLED SOCKET PIN



MATERIAL: HARD BRASS.

PLATING: GOLD OVER NICKEL.

RECOMMENDED FIXTURE DRILL SIZES	
PART NUMBER	MOUNTING HOLE DRILL DIAMETER
GI-12-002 WWSP	#53 .0595" (1,51)
GI-023-075 WWSP	.065" (1,65)
GI-40-2 WWSP	#54 .055" (1,40)
GI-40-3 WWSP	#54 .055" (1,40)
GI-68 KSP	#54 .055" (1,40)