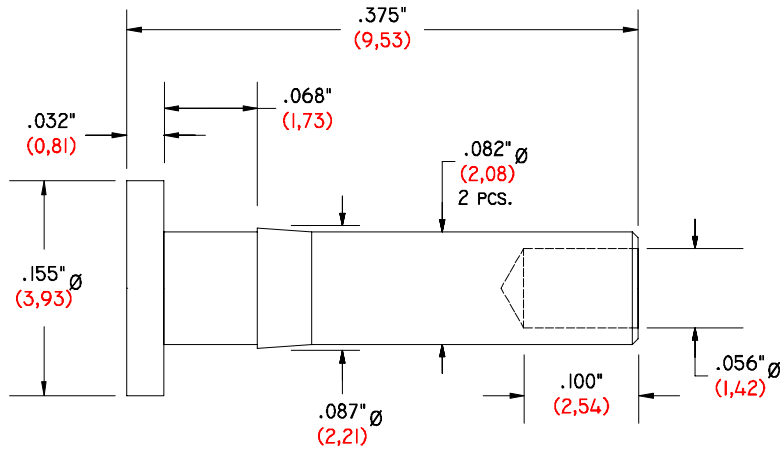
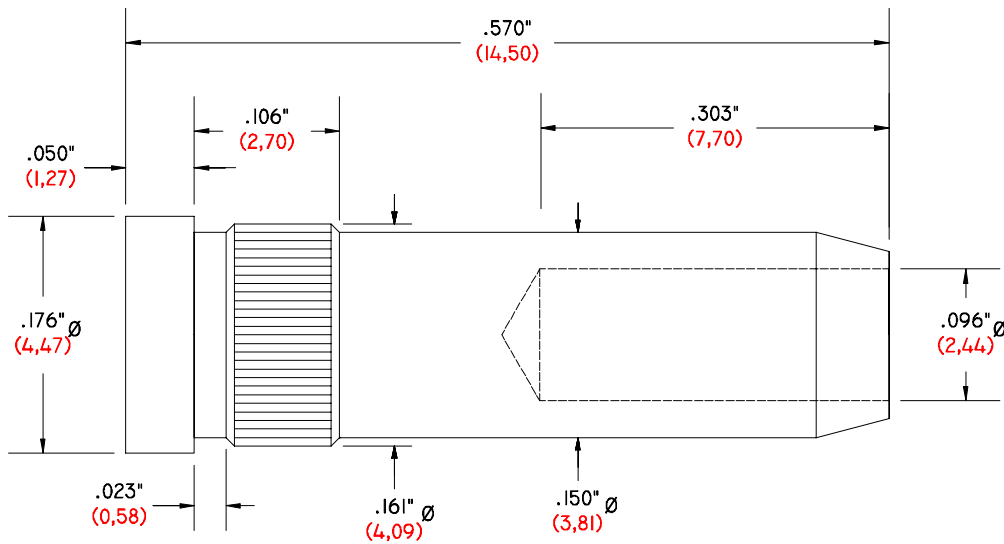


POWER PINS PINS FOR DEDICATED FIXTURES



GI-375-157 SPP
SMALL POWER PIN



GI-570-173 LPP
LARGE POWER PIN

MATERIAL: HARD BRASS.

PLATING: GOLD OVER NICKEL.

RECOMMENDED FIXTURE DRILL SIZES	
PART NUMBER	MOUNTING HOLE DRILL DIAMETER
GI-375-157 SPP	.0846" (2,15)
GI-570-173 LPP	#21 .159" (4,04)