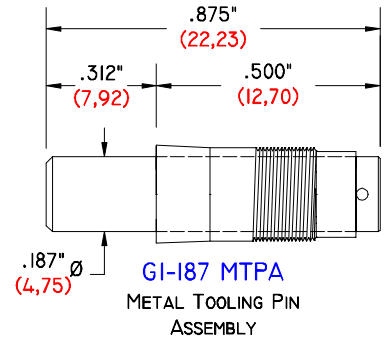
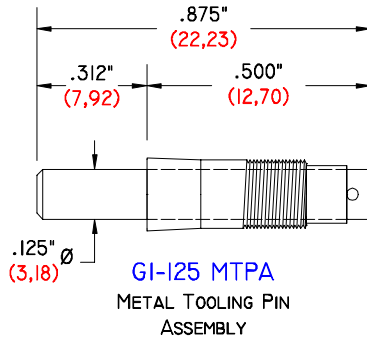
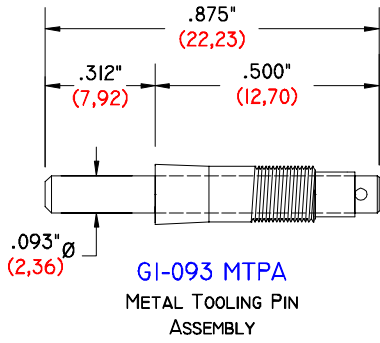


# STANDARD METAL TOOLING PIN ASSEMBLIES FOR BARE AND LOADED BOARD FIXTURES

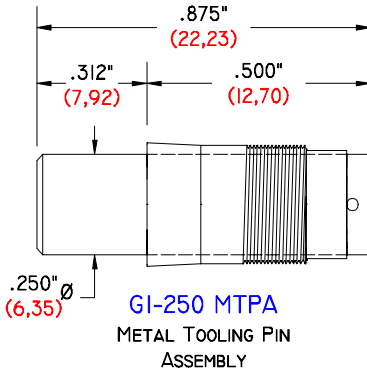


TO ORDER, SELECT A STANDARD METAL TOOLING PIN ASSEMBLY FROM THE PART NUMBERS ABOVE.

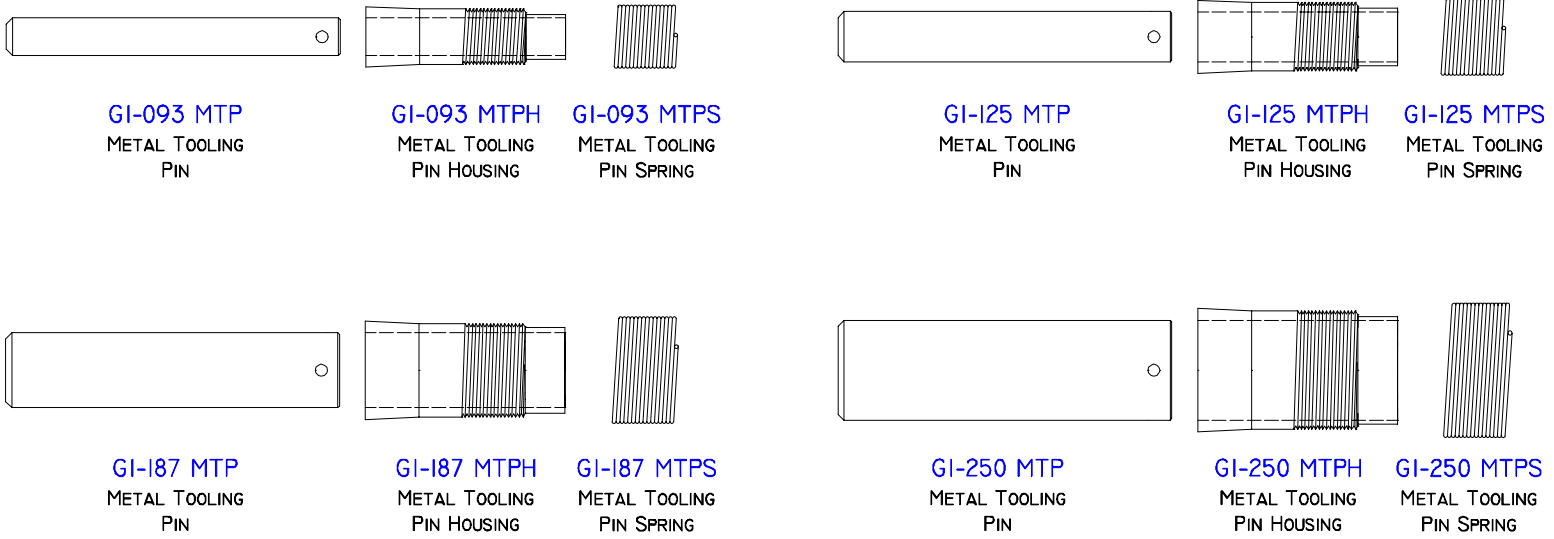
EXAMPLE:  
**GI-093 - MTPA**

MATERIAL: PIN- STAINLESS STEEL.  
HOUSING- BRASS.  
SPRING- MUSIC WIRE (SPRING STEEL).

PLATING: PIN- NONE.  
HOUSING- NICKEL PLATE.  
SPRING- NICKEL PLATE.



RECOMMENDED FIXTURE DRILL SIZES	
PART NUMBER	MOUNTING HOLE DRILL DIAMETER
<b>GI-093 MTPA</b>	9/64" .1406" (3,57)
<b>GI-I25 MTPA</b>	11/64" .1719" (4,37)
<b>GI-I87 MTPA</b>	15/64" .2344" (5,95)
<b>GI-250 MTPA</b>	19/64" .2969" (7,54)



THE COMPONENTS THAT MAKE UP OUR METAL TOOLING PIN ASSEMBLIES ARE AVAILABLE INDIVIDUALLY. TO ORDER, SELECT FROM THE PART NUMBERS ABOVE.

EXAMPLE:  
**GI-093 - MTP**