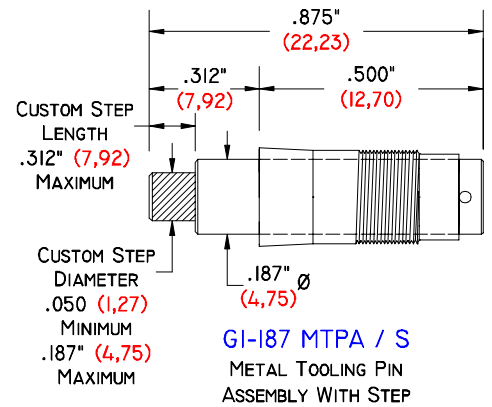
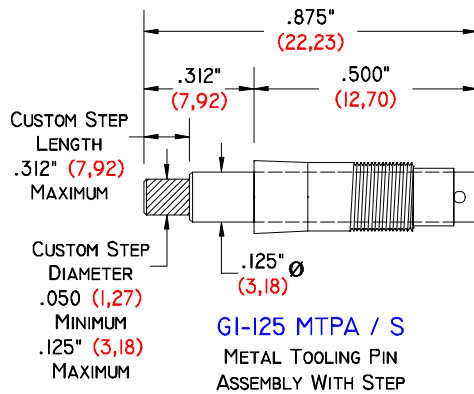
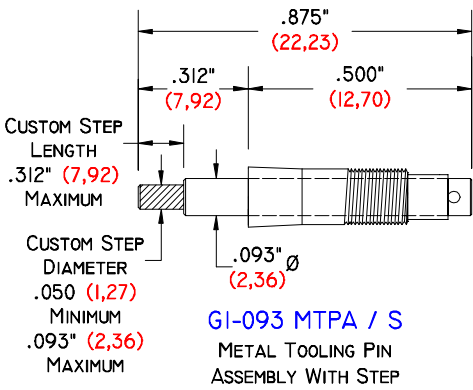


# CUSTOM METAL TOOLING PIN ASSEMBLIES FOR BARE AND LOADED BOARD FIXTURES

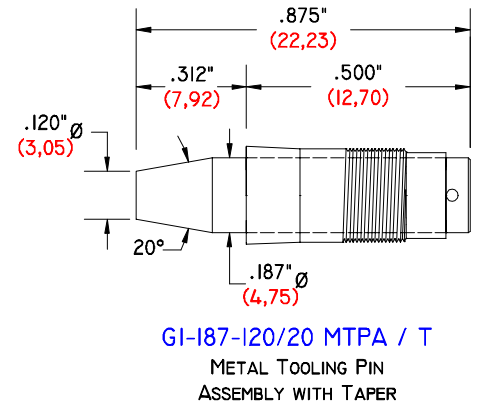
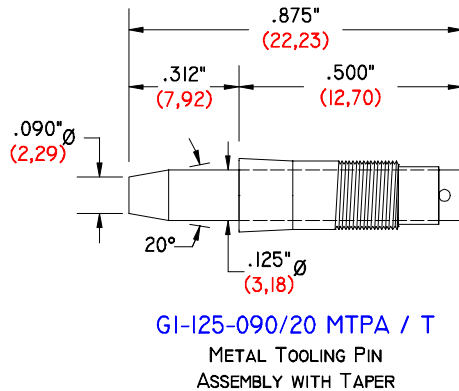
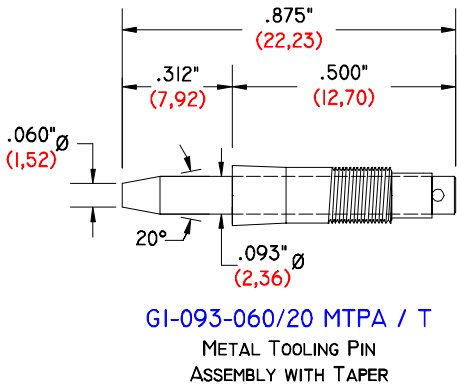
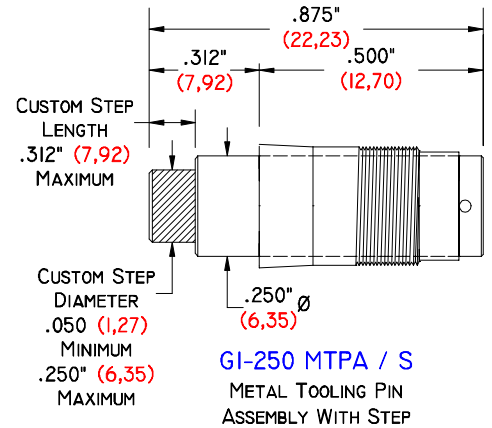


OUR STANDARD METAL TOOLING PIN ASSEMBLIES CAN BE CUSTOMIZED FOR ANY SPECIFIC HOLE SIZE WITH A TURNED STEP.  
TO ORDER, DEVELOP A PART NUMBER USING THE STANDARD METAL TOOLING PIN ASSEMBLY, CUSTOM STEP LENGTH, CUSTOM STEP DIAMETER, REQUIRED USING THE MINIMUM / MAXIMUM INFORMATION IN THE ILLUSTRATIONS ABOVE.

EXAMPLE:

GI-093 - 062 / 150 MTPA / S

STANDARD TOOLING PIN ——— STEP DIAMETER ——— STEP LENGTH



OUR STANDARD METAL TOOLING PIN ASSEMBLIES CAN BE CUSTOMIZED WITH A 20 DEGREE TAPER.  
THIS TAPER WILL ALLOW THE TOOLING PIN TO FIT A RANGE OF HOLE SIZES.  
TO ORDER, SELECT A METAL TOOLING PIN ASSEMBLY WITH TAPER FROM THE PART NUMBERS ABOVE.

GI-093-060/20 MTPA / T WILL FIT A RANGE OF HOLE SIZES FROM .060" (1,52) TO .093 (2,36).  
GI-125-090/20 MTPA / T WILL FIT A RANGE OF HOLE SIZES FROM .090" (2,29) TO .125" (3,18).  
GI-187-120/20 MTPA / T WILL FIT A RANGE OF HOLE SIZES FROM .120" (3,05) TO .187" (4,75).  
GI-250-180/20 MTPA / T WILL FIT A RANGE OF HOLE SIZES FROM .180" (4,57) TO .250" (6,35).

EXAMPLE:

GI- 093 - 060 / 20 MTPA / T

