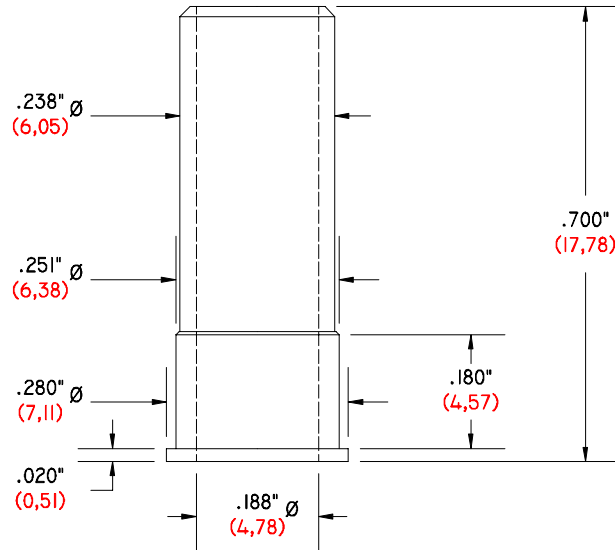
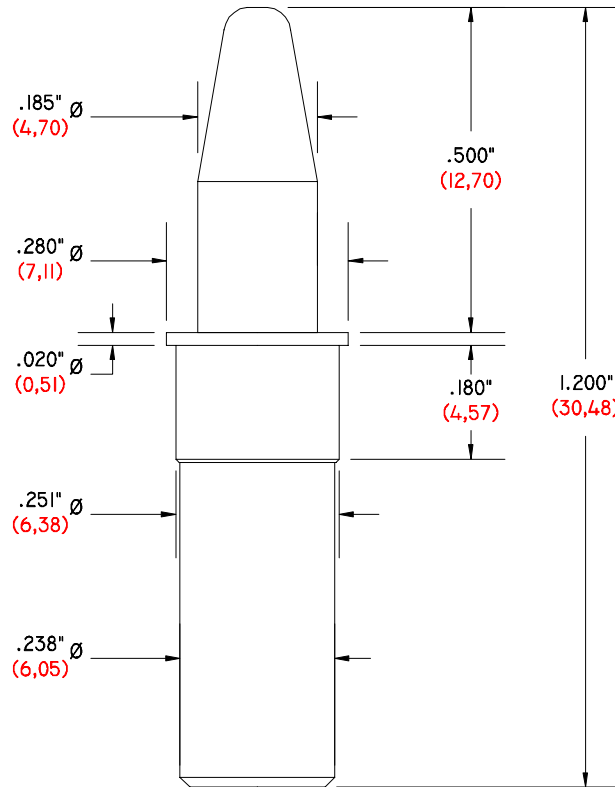


# CLAM SHELL ALIGNMENT BULLETS AND HOUSINGS

GI-700/188 CAH  
CLAM SHELL ALIGNMENT  
HOUSING



GI-1200/184 CAB  
CLAM SHELL ALIGNMENT  
BULLET



MATERIAL: PIN- STAINLESS STEEL.  
HOUSING- STAINLESS STEEL.