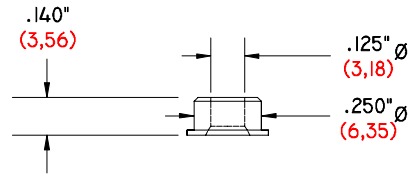
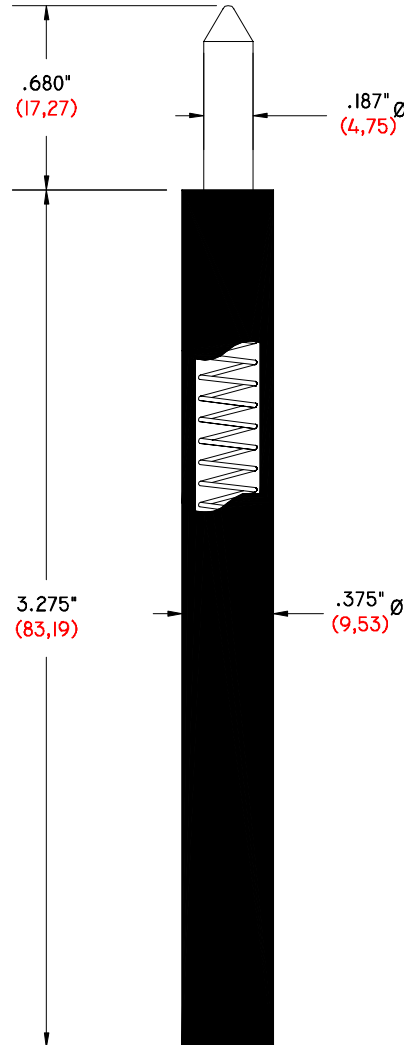


.375" (9,53) DIAMETER TOP-BOTTOM ALIGNMENT ASSEMBLY FOR DOUBLE SIDED TEST FIXTURES



GI-I40-300/250 TBAB
TOP BOTTOM ALIGNMENT
BUSHING



GI-3.275-187/375 TBAA
TOP BOTTOM ALIGNMENT
ASSEMBLY

MATERIAL: PIN- HARDENED DRILL ROD.
 BUSHING- HARDENED DRILL ROD.
 HOUSING- DELRIN.
 SPRING- MUSIC WIRE (SPRING STEEL), NICKEL PLATED.

SPRING PRESSURE: 8 LBS. (3.629 KILOGRAMS).

RECOMMENDED FIXTURE DRILL SIZES	
PART NUMBER	MOUNTING HOLE DRILL DIAMETER
GI-3.275-187/375 TBAA (HOUSING)	25/64" .3906" (9,92)
GI-3.275-187/375 TBAA (PIN)	#11 .191" (4,85)
GI-I40-300/250 TBAB (BUSHING)	.248" (6,30)