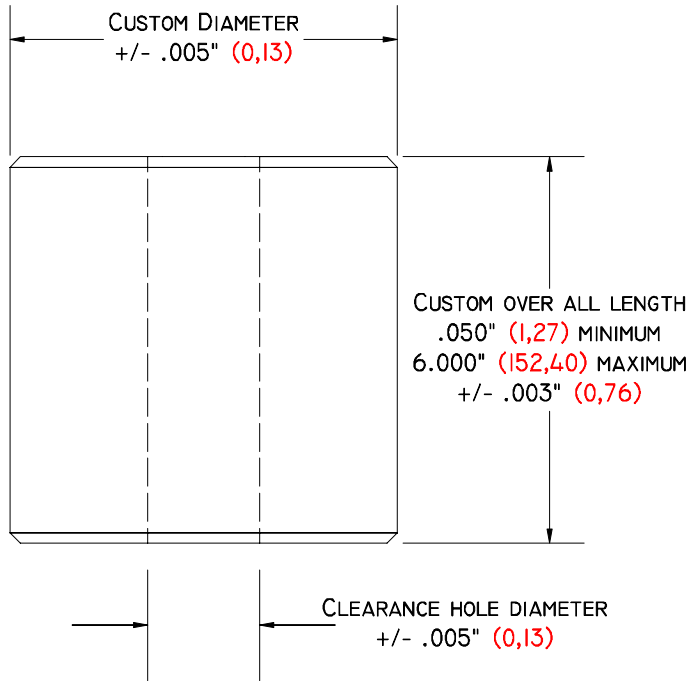


# CUSTOM SPACERS WITH DRILLED THROUGH CLEARANCE HOLES FOR 6-32, 8-32 10-24 SCREWS



AVAILABLE HOLE SIZES	
CLEARANCE HOLE DIAMETER	FOR SCREW SIZE
.140" (3,56)	6-32
.170" (4,32)	8-32
.190" (4,83)	10-24

SPACERS WITH CLEARANCE HOLES ARE AVAILABLE IN DIAMETERS OF:

1/4" - .250" (6,35)    5/16" - .312" (7,92)

3/8" - .375" (9,53)    1/2" - .500" (12,70)

3/4" - .750" (19,05)

OTHER CLEARANCE HOLE DIAMETERS ARE AVAILABLE.

MATERIAL: DELRIN.

TO ORDER, DEVELOP A PART NUMBER USING THE CUSTOM OVER ALL LENGTH, CUSTOM DIAMETER, CLEARANCE HOLE SIZE, REQUIRED USING THE MINIMUM / MAXIMUM INFORMATION IN THE ILLUSTRATION ABOVE.

EXAMPLE:

GI- 750 - 750 / 140 DS

OVER ALL LENGTH ———  
DIAMETER ——— CLEARANCE HOLE DIAMETER