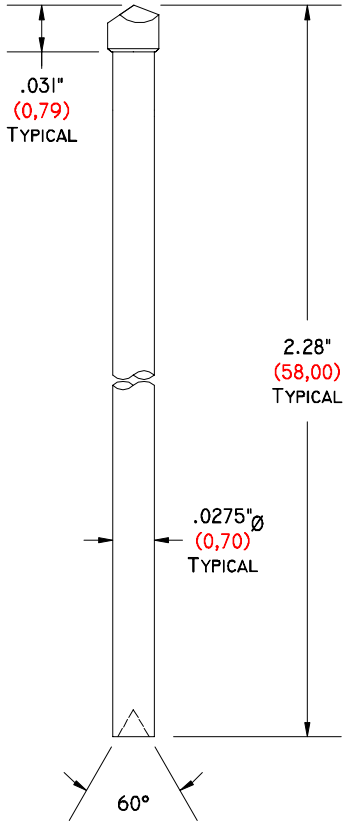


# 2.28" (58,00) RIGID TRANSLATOR PINS FOR CIRCUIT LINE\* TESTERS

.0275" (0,70) BODY WITH .034" (0,86) TO .138" (3,50) TIP

AVAILABLE IN THE FOLLOWING TIP STYLES



GI-228-0275-034 CH  
.034" (0,86) Ø  
CHISEL TIP  
( M63.0035.9 )



GI-228-0275-034 CR  
.034" (0,86) Ø  
CROWN TIP  
( M63.0036.9 )



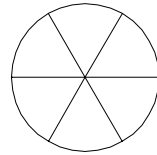
GI-228-0275-034 DO  
.034" (0,86) Ø  
DOME TIP  
( M63.0037.9 )



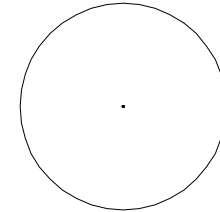
GI-228-0275-041 CH  
.041" (1,04) Ø  
CHISEL TIP  
( M63.0038.9 )



GI-228-0275-059 ST  
.059" (1,50) Ø  
STAR TIP  
( M63.0039.9 )



GI-228-0275-098 ST  
.098" (2,49) Ø  
STAR TIP  
( M63.0040.9 )



GI-228-0275-138 CO  
.138" (3,50) Ø  
CONICAL TIP  
( M63.0041.9 )

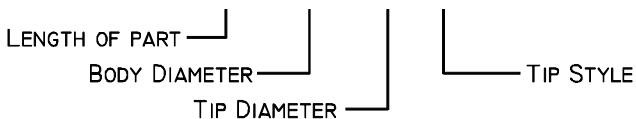
MATERIAL: HARDENED BERYLLIUM COPPER.

PLATING: ELECTROLESS NICKEL.

OUR PART NUMBERS DESCRIBE THE DIMENSIONS OF THE PART

EXAMPLE:

GI- 228 - 0275 - 034 CH



\* CIRCUIT LINE IS A REGISTERED TRADEMARK OF CIRCUIT LINE, INC.