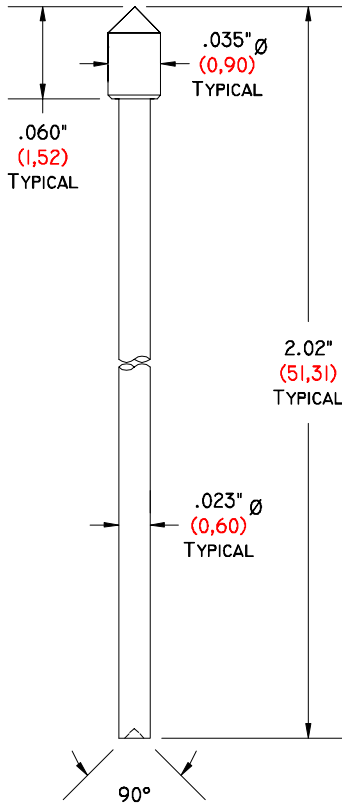


2.02" (51,31) RIGID TRANSLATOR PINS

.023" (0,60) BODY WITH .035" (0,90) TIP

AVAILABLE IN THE FOLLOWING TIP STYLES



GI-2-023-035 CH
.035" (0,90) Ø
CHISEL TIP



GI-2-023-035 BU
.035" (0,90) Ø
BULLET TIP



GI-2-023-035 CO
.035" (0,90) Ø
CONICAL TIP



GI-2-023-035 CU
.035" (0,90) Ø
CUP TIP



GI-2-023-035 FL
.035" (0,90) Ø
FLAT TIP



GI-2-023-035 FNCO
.035" (0,90) Ø
FLAT NOSE CONICAL TIP

.008" (0,20) FLAT



GI-2-023-029 WA
.029" (0,74) Ø
WAFFLE TIP

MATERIAL: HARDENED BERYLLIUM COPPER.

PLATING: GOLD OVER ELECTROLESS NICKEL.

OUR PART NUMBERS DESCRIBE THE DIMENSIONS OF THE PART

EXAMPLE:

GI- 2 - 023 - 035 CH



RECOMMENDED FIXTURE DRILL SIZES

Body Dia.	TOP PLATE DRILL THICK DIA.	BASE / GRID PLATE DRILL THICK DIA.
.023"	#71 .125" (3,18)	#49 .250" (6,35)