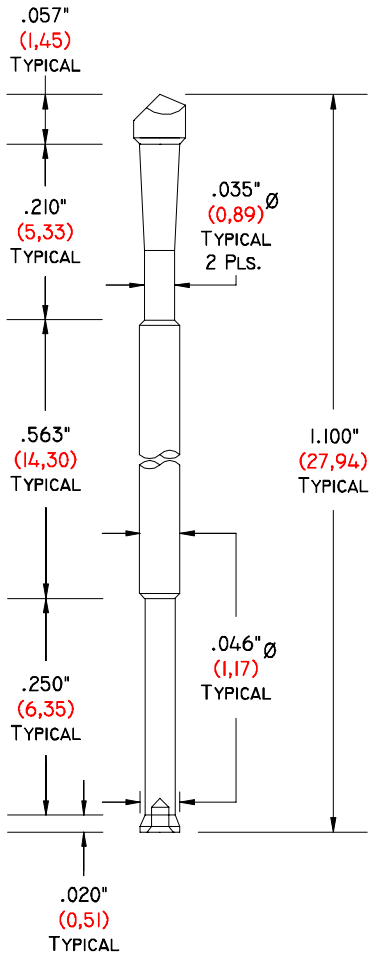


# 1.1" (27,94) RIGID TRANSLATOR PINS

.046" (1,17) BODY WITH .060" (1,52) TO .250" (6,35) TIP

AVAILABLE IN THE FOLLOWING TIP STYLES



GI-I-046-060 CH .060" (1,52) Ø CHISEL TIP	GI-I-046-062 BU .062" (1,57) Ø BULLET TIP	GI-I-046-062 CO .062" (1,57) Ø CONICAL TIP	GI-I-046-062 CU .062" (1,57) Ø CUP TIP	GI-I-046-062 ST .062" (1,57) Ø STAR TIP
GI-I-046-062 WA .062" (1,57) Ø WAFFLE TIP	GI-I-046-075 CH .075" (1,91) Ø CHISEL TIP	GI-I-046-075 BU .075" (1,91) Ø BULLET TIP	GI-I-046-075 CO .075" (1,91) Ø CONICAL TIP	GI-I-046-085 CH .085" (2,16) Ø CHISEL TIP
GI-I-046-100 CH .100" (2,54) Ø CHISEL TIP	GI-I-046-100 BU .100" (2,54) Ø BULLET TIP	GI-I-046-100 CO .100" (2,54) Ø CONICAL TIP	GI-I-046-130 CH .130" (3,30) Ø CHISEL TIP	GI-I-046-130 CO .130" (3,30) Ø CONICAL TIP
GI-I-050-156 CH* .156" (3,96) Ø CHISEL TIP	GI-I-050-200 CH* .200" (5,08) Ø CHISEL TIP	GI-I-050-200 CO* .200" (5,08) Ø CONICAL TIP	GI-I-050-250 CH* .250" (6,35) Ø CHISEL TIP	

\* THESE ITEMS HAVE A .050" (1,27) BODY DIAMETER.

MATERIAL: HARD BRASS.

PLATING: GI-I-046-060 CH IS ELECTROLESS NICKEL STANDARD ( -N ).

GOLD OVER ELECTROLESS NICKEL OPTIONAL ( -G ).

ALL OTHER PART NUMBERS ARE GOLD OVER ELECTROLESS NICKEL STANDARD ( -G ).

OUR PART NUMBERS DESCRIBE THE DIMENSIONS OF THE PART

EXAMPLE:

GI-I-046-060 CH -N



RECOMMENDED FIXTURE DRILL SIZES				
BODY DIA.	TOP PLATE		BASE / GRID PLATE	
	.125" (3,18) THICK DRILL	DIA.	.250" (6,35) THICK DRILL	DIA.
.046"	#54	.055"	#49	.073"
.050"	#53	.0595"	#49	.073"