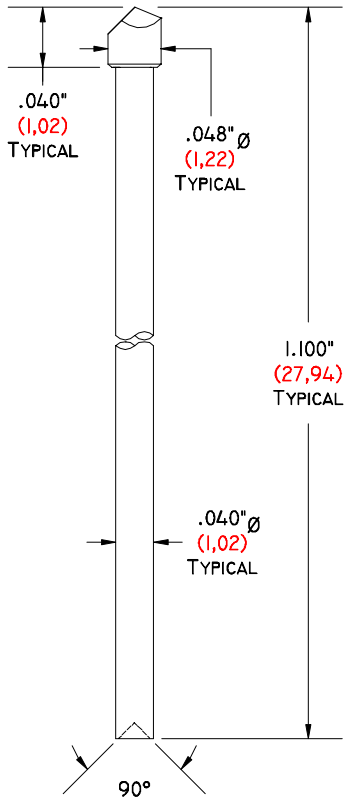


1.1" (27,94) RIGID TRANSLATOR PINS

.040" (1,02) BODY WITH .048" (1,22) TIP

AVAILABLE IN THE FOLLOWING TIP STYLES



GI-I-040-048 CH
.048" (1,22) Ø
CHISEL TIP



GI-I-040-048 BU
.048" (1,22) Ø
BULLET TIP



GI-I-040-048 CO
.048" (1,22) Ø
CONICAL TIP



GI-I-040-048 CU
.048" (1,22) Ø
CUP TIP

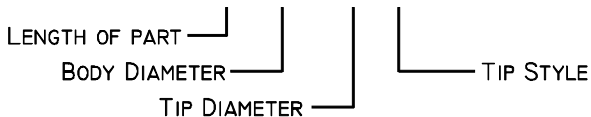
MATERIAL: HARD BRASS.

PLATING: GOLD OVER ELECTROLESS NICKEL.

OUR PART NUMBERS DESCRIBE THE DIMENSIONS OF THE PART

EXAMPLE:

GI-I-040-048 CH



RECOMMENDED FIXTURE DRILL SIZES				
BODY DIA.	TOP PLATE DRILL	THICK DIA.	BASE / GRID PLATE DRILL	THICK DIA.
.040"	#57	.043"	#49	.073"