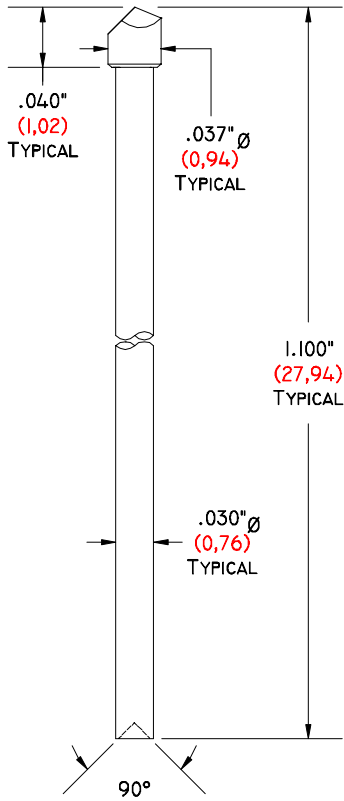


# 1.1" (27,94) RIGID TRANSLATOR PINS

## .030" (0,76) BODY WITH .037" (0,94) TIP

AVAILABLE IN THE FOLLOWING TIP STYLES



**GI-I-030-037 CH**  
 .037" (0,94) Ø  
 CHISEL TIP



**GI-I-030-037 BU**  
 .037" (0,94) Ø  
 BULLET TIP



**GI-I-030-037 CO**  
 .037" (0,94) Ø  
 CONICAL TIP



**GI-I-030-037 CU**  
 .037" (0,94) Ø  
 CUP TIP

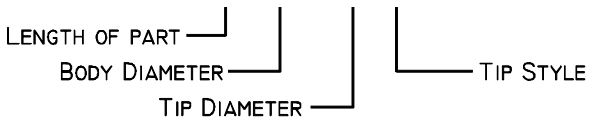
MATERIAL: HARD BRASS STANDARD. HARDENED BERYLLIUM COPPER OPTIONAL.

PLATING: GOLD OVER ELECTROLESS NICKEL.

OUR PART NUMBERS DESCRIBE THE DIMENSIONS OF THE PART

EXAMPLE:

**GI- I - 030 - 037 CH**



RECOMMENDED FIXTURE DRILL SIZES				
BODY DIA.	TOP PLATE DRILL	THICK DIA.	BASE / GRID PLATE DRILL	THICK DIA.
.030"	#66	.033"	#49	.073"