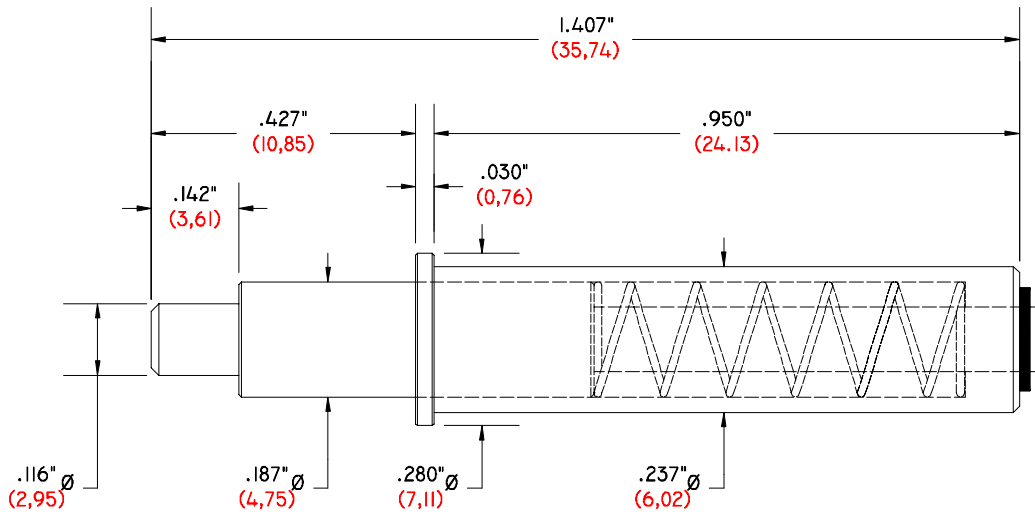
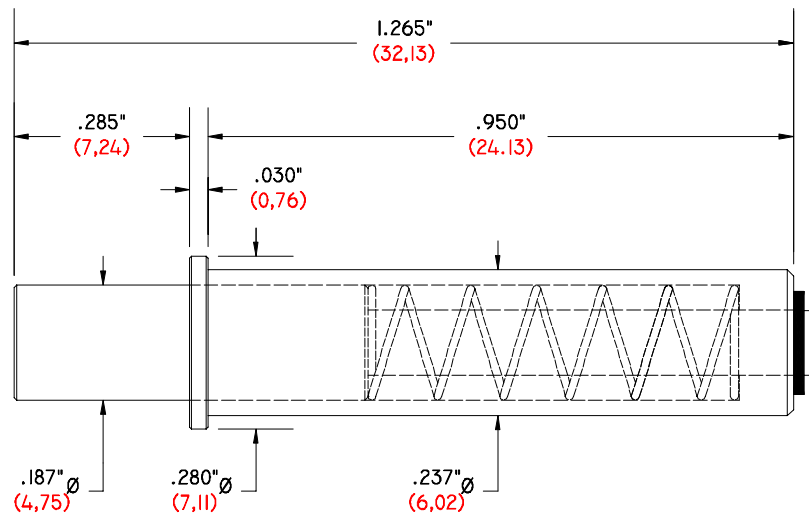


SPRING LOADED PLUNGER ASSEMBLIES FOR TTI* TESTER STRIPPER PLATES



GI-I.407-237-187/116 SPA
STRIPPER PLATE
ASSEMBLY



GI-I.265-237/118 SPA
STRIPPER PLATE
ASSEMBLY

MATERIAL: PIN- STAINLESS STEEL.
HOUSING- BRASS.
SPRING- MUSIC WIRE (SPRING STEEL).

PLATING: PIN- NONE.
HOUSING- NICKEL PLATE.
SPRING- NICKEL PLATE.

SPRING PRESSURE: 3 LBS. (1361 GRAMS).

* T T I IS A REGISTERED TRADEMARK OF TEST TECHNOLOGY, INC.